



OLAER (Schweiz) AG
Bonnstrasse 3, CH – 3186 Düringen
Tel. 026 492 70 00, Fax 026 492 70 70
E-mail: info@olaer.ch www.olaer.ch

0,2 - 50 Litre
330 - 350 bar

Construction

OSP 111

Bladder accumulator with hydraulic valve - pressure vessel of forged steel, seamless - heavy duty gas inlet valve - detachable.

Charge pressure P_0

Between $0,9 P_1$ and $0,2 P_2$
Other pressure ratios on request.

Temperature range

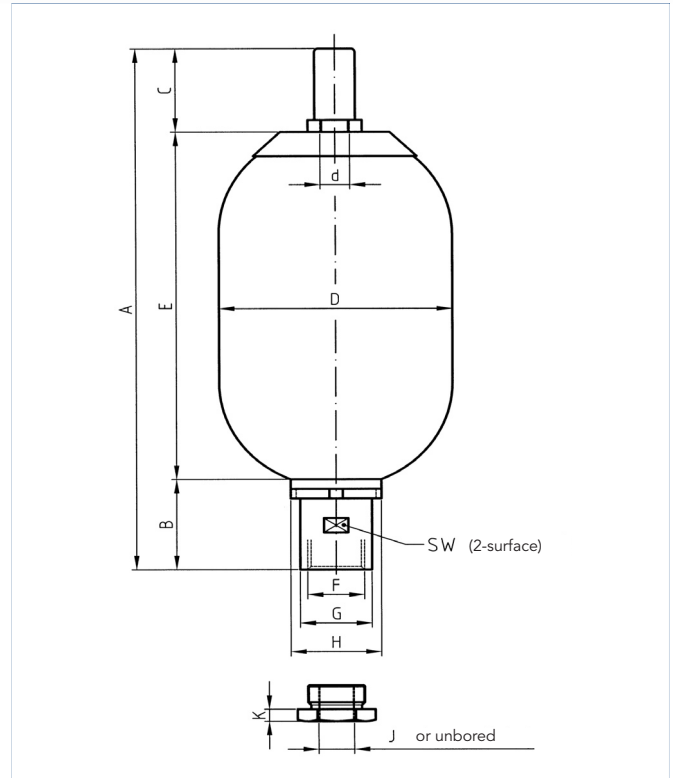
Standard model - 15°C to $+ 80^{\circ}\text{C}$
Other ranges on request.

Volumetric flow Q

The max. values given in the selection table apply only for a vertical installation (hydraulic assembly downwards). Use Series GD accumulators for higher volumetric flows.

Hydraulic fluid

Hydraulic oil (mineral oil)
Other mediums, such as bio-degradable hydraulic oil, non-flammable liquids, water, emulsions, fuels, ect. should be specified at the time of ordering.



Installation

Vertical (hydraulic assembly downwards) to horizontal. Leave a space of 200mm free above the gas inlet valve for attaching the tester and pressurizer instrument.

Method of mounting

Clamps and brackets with rubber core, or mounting set, see data sheet OSP 775 and OSP 780 "Accumulator - Accessories".

Model	Gasvol. V_0 litre	Work press. bar	Weight kg	Q max. l/min	Dimensions in mm											
					A	B	C	$\varnothing D$	$\varnothing d$	E	F	$\varnothing G$	$\varnothing H$	SW	J	K
IHV 0,2 - 350 / 00 *	0,17	350	2,1	150	266	38	29	58	16	199	G 1/2"	27	38	24	G 1/4"	8
IHV 0,5 - 350 / 00 *	0,6	350	2,5	240	258	54	28	91	16	176	G 3/4"	36	50	32	G 3/8"	8
IHV 1 - 350 / 90	1	350	5	240	326	54	65	115	22	207	G 3/4"	36	50	32	G 3/8"	8
IHV 1,6 - 350 / 90	1,6	350	7	240	396	54	27	115	16	315	G 3/4"	36	50	32	G 3/8"	8
IHV 2,5 - 350 / 90	2,4	350	10	450	546	66	65	115	22	415	G 1 1/4"	53	68	50	G 3/4"	10
IHV 4 - 350 / 90	3,7	350	14	450	401	65	35	170	22	301	G 1 1/4"	53	68	50	G 3/4"	10
IHV 5 - 350 / 90	5	350	17	450	895	66	65	115	22	764	G 1 1/4"	53	68	50	G 3/4"	10
IHV 6 - 350 / 90	6	350	19	450	557	65	65	170	22	427	G 1 1/4"	53	68	50	G 3/4"	10
IHV 10 - 350 / 90 - L	10	350	29	450	822	65	65	170	22	692	G 1 1/4"	53	68	50	G 3/4"	10
IHV 10 - 330 / 90 - K	9,2	330	30	900	583	103	65	222	22	415	G 2"	76	101	70	G 1"	13
IHV 12 - 330 / 90	11	330	35	900	683	103	65	222	22	515	G 2"	76	101	70	G 1"	13
IHV 20 - 330 / 90	17,8	330	50	900	893	103	65	222	22	725	G 2"	76	101	70	G 1"	13
IHV 24 - 330 / 90	22,5	330	53	900	1028	103	65	222	22	860	G 2"	76	101	70	G 1"	13
IHV 32 - 330 / 90	32	330	80	900	1418	103	65	222	22	1250	G 2"	76	101	70	G 1"	13
IHV 50 - 330 / 90	48,5	330	100	900	1939	103	70	222	50	1766	G 2"	76	101	70	G 1"	13

Issued in accordance with PED 97/23/EC with CE marked

Additional approvals on request

* Issued in accordance with PED 97/23/EG, article 3 clause 3, without CE-marking

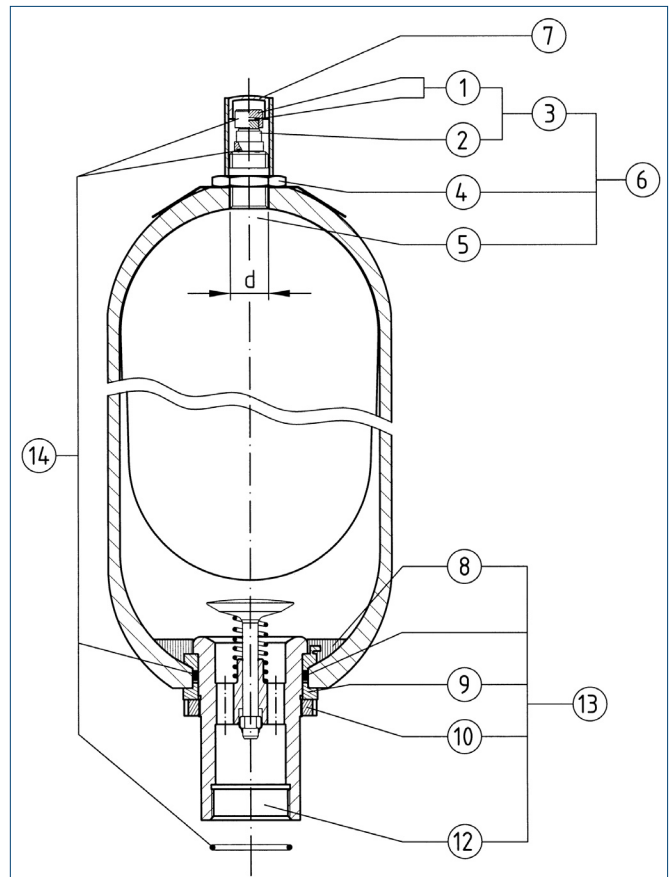
Manufacturer's tolerances not taken into account

The right to make modifications reserved

Spare parts lists

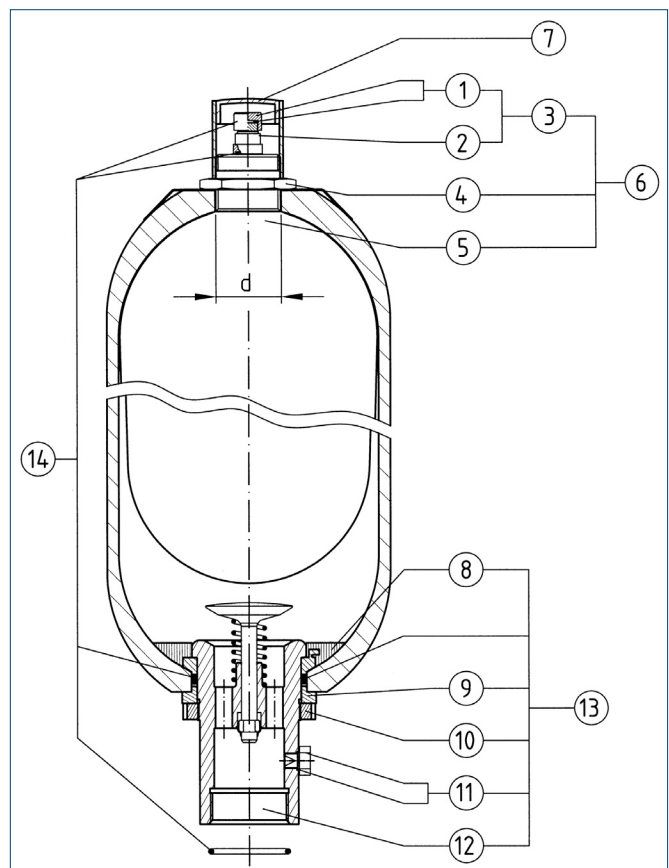
Models : IHV 0,2 to IHV 10 - L

Part No.	Part	Rec. spare part
1	Valve cap and gasket	
2	Gas inlet valve and gasket	
3	Gas inlet valve assembly	
4	Nut	
5a	Bladder $\varnothing d = 16\text{mm}$	
5b	Bladder $\varnothing d = 22\text{mm}$	
6a	Bladder assembly $\varnothing d = 16\text{mm}$	x
6b	Bladder assembly $\varnothing d = 22\text{mm}$	x
7	Protective cap	
8	Anti-extrusions ring / retention washer	x
9	Gland ring	
10	Ring nut	
12	Hydraulic valve sub-assembly	
13	Hydraulic valve sub-assembly complete	
14	Gasket assembly (contains all gaskets)	x



Models : IHV 10 - K to IHV 50

Part No.	Part	Rec. spare part
1	Valve cap and gasket	
2	Gas inlet valve and gasket	
3	Gas inlet valve assembly	
4	Nut	
5a	Bladder $\varnothing d = 22\text{mm}$	
5b	Bladder $\varnothing d = 50\text{mm}$	
6a	Bladder assembly $\varnothing d = 22\text{mm}$	x
6b	Bladder assembly $\varnothing d = 50\text{mm}$	x
7	Protective cap	
8	Anti-extrusions ring / retention washer	x
9	Gland ring	
10	Ring nut	
11	Venting screw and gasket	
12	Hydraulic valve sub-assembly	
13	Hydraulic valve assembly	
14	Gasket assembly (contains all gaskets)	x



Order example :

Bladder assembly for Accumulator IHV 12 - 330 Part. 6a